

1x4 RJ45 Connector
with LEDs and Integrated Magnetics
for 10/100Base-TX Hub and Switch application

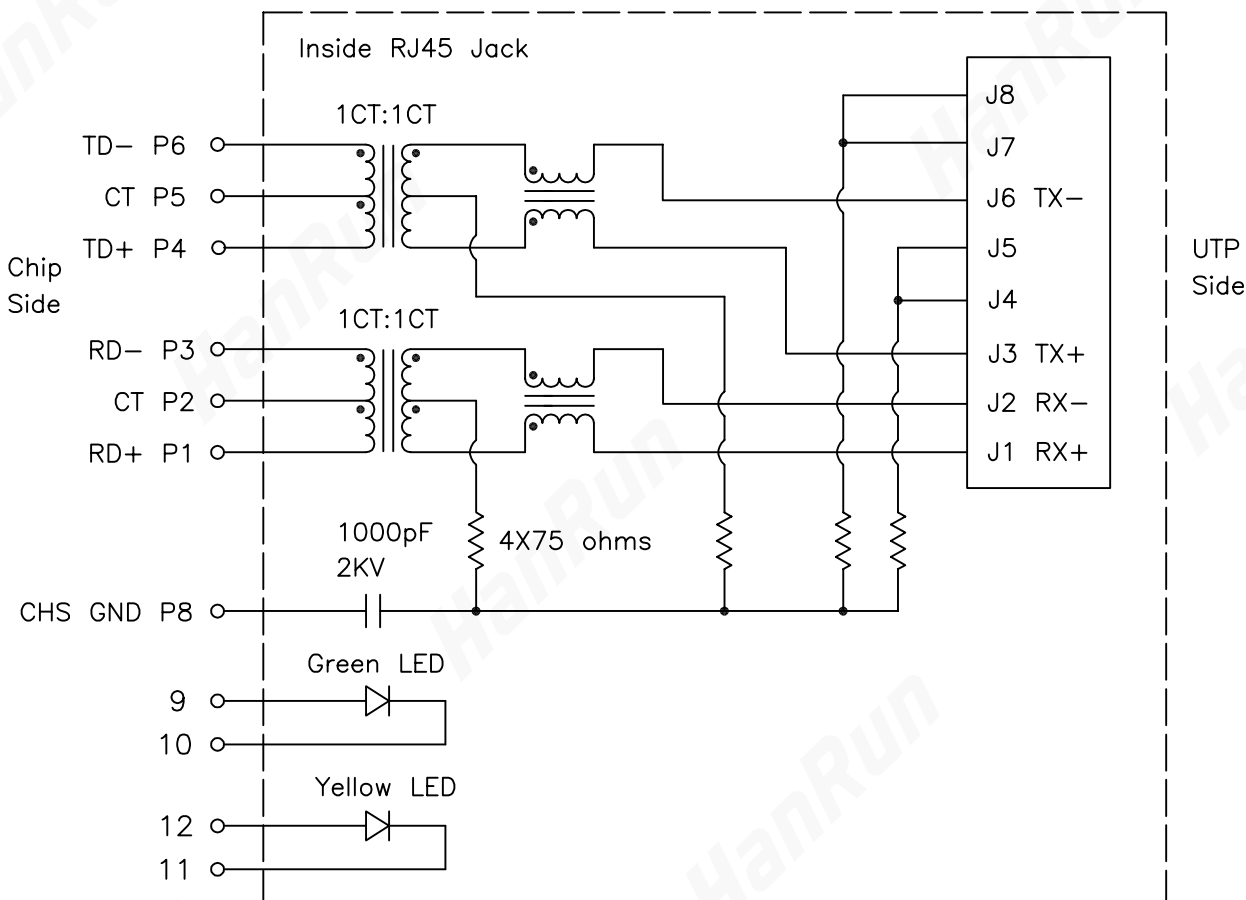


HR911402A

Electrical Specification @25°C

- Isolation: 1500Vrms (UTP Side to Chip Side)
- OCL: 350uH Minimum @100KHz 100mV with 8mA DC
- Insertion Loss: -1.0dB Maximum @300KHz ~ 100MHz
- Return Loss: -20dB Minimum @1MHz ~ 10MHz
 - 16dB Minimum @10MHz ~ 30MHz
 - 12dB Minimum @30MHz ~ 60MHz
 - 10dB Minimum @60MHz ~ 80MHz
- Common Mode Rejection: -30dB Minimum @1MHz ~ 50MHz
 - 20dB Minimum @50MHz ~ 150MHz
- Crosstalk: -40dB Minimum @1MHz ~ 30MHz
 - 35dB Minimum @30MHz ~ 60MHz
 - 30dB Minimum @60MHz ~ 100MHz

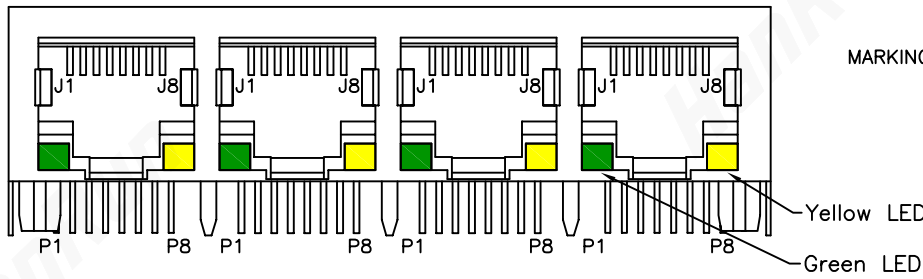
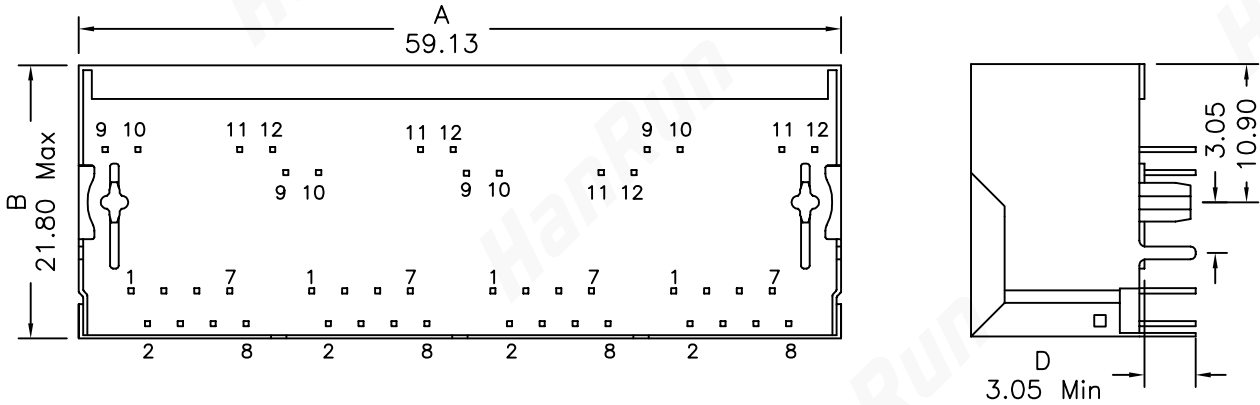
Schematics



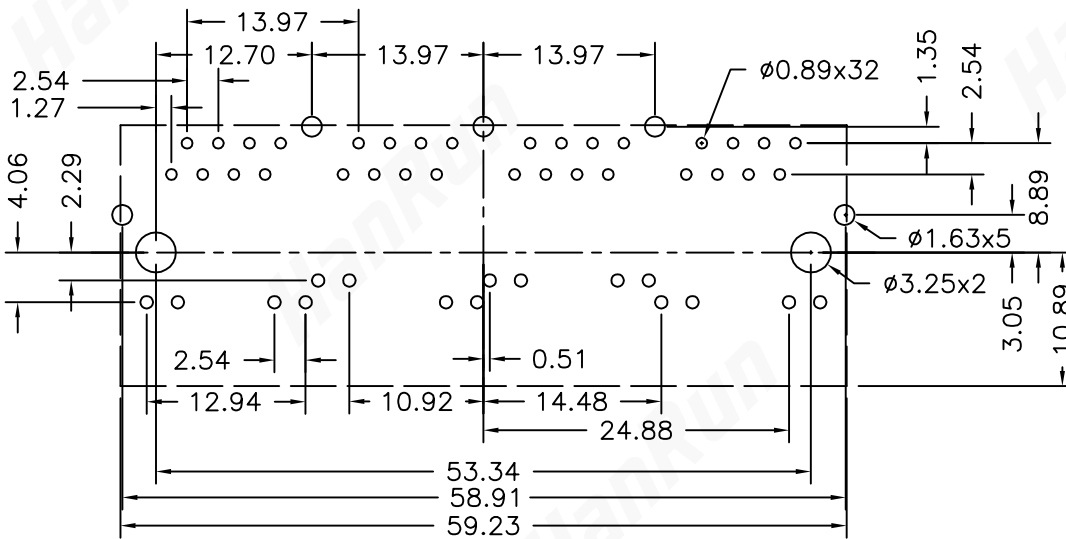
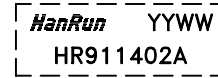
Notes: Connect CHS GND PIN8 to PCB Ground

HR911402A

Mechanical Dimensions



MARKING: (ON TOP OF SHIELD)



Standard LED	Wavelength	Forward V (Min/Max)	Forward A	Type
Green	568nm	1.8V/2.8V	20mA	squareness
Yellow	586nm	1.8V/2.8V	20mA	squareness

Dimensions in mm

Unless otherwise specified, Tolerance: .xx ±0.25

REV.A (2008/10/30)